

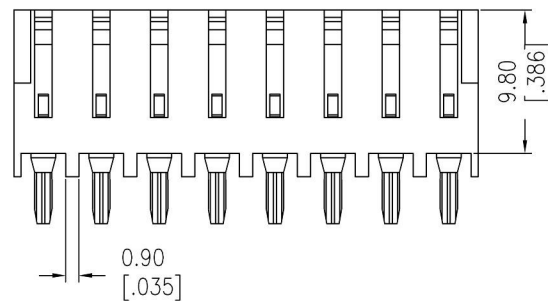
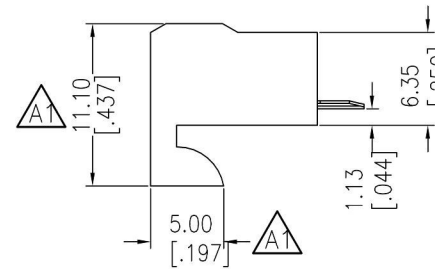
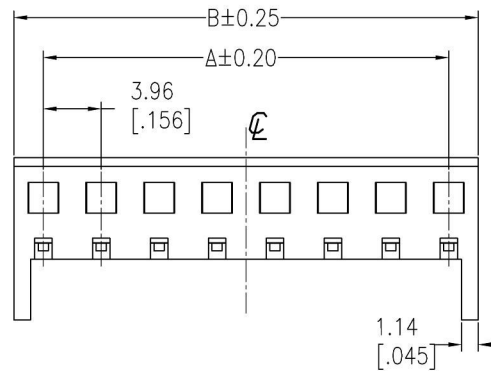
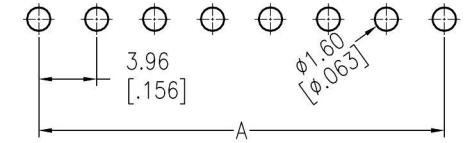
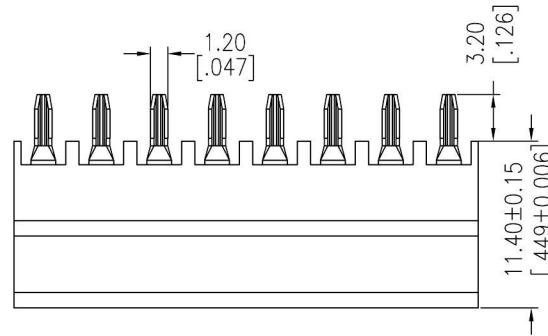
HSF

NOTES:

Current Rating:5.0AMP AC/DC
 Voltage Rating:250V AC/DC
 Contact Resistance:20mΩ max
 Withstand Voltage:1000V AC/minute
 Insulation Resistance:1000MΩ min
 Operation Temperature:-25°C to +85°C

Contact Material:Phorphos bronze
 Contact plating:Sn Over Ni
 Insulator Material:PA66 UL94V-0

Recommended P.C.B Layout(Top Side)
 (PCB BOARD TOLERANCE±0.05)



Dimensional & Ordering Information:

Circuit	Part No.	Dimension	
		A	B
02	HCA8676-2	3.96	7.98
03	HCA8676-3	7.92	11.94
04	HCA8676-4	11.88	15.90
05	HCA8676-5	15.84	19.86
06	HCA8676-6	19.80	23.82
07	HCA8676-7	23.76	27.78
08	HCA8676-8	27.72	31.74
09	HCA8676-9	31.68	35.70
10	HCA8676-10	35.64	39.66
11	HCA8676-11	39.60	43.62
12	HCA8676-12	43.56	47.58
13	HCA8676-13	47.52	51.54
14	HCA8676-14	51.48	55.50
15	HCA8676-15	55.44	59.46
16	HCA8676-16	59.40	63.42
17	HCA8676-17	63.36	67.38
18	HCA8676-18	67.32	71.34
19	HCA8676-19	71.28	75.30
20	HCA8676-20	75.24	79.26

REV	DATE	MODIFICATION DESCRIPTION	CHANGE	OPERATION	DRAW	DATE	SCALE	FIT	PART NO.
A2				X.X ±0.40		2012/11/07	UNIT	mm	HCA8676-XX
A1				X.XX ±0.25	CHECK	DATE	SIZE	A4	
A0				X.XXX ±0.15			SHEET	1/1	TITLE:
				Angle ± 3'	APPROVE	DATE	PROJ.	Customer NO.	
				DIM TOL					

HO CHIEN
 www.hochien.com